



INTELLIGENT SUN PROTECTION










Retractable Pergola

Pergola with motorised louvers and intelligent sensors.



Retractable Pergola **attached to wall**

Retractable Pergola

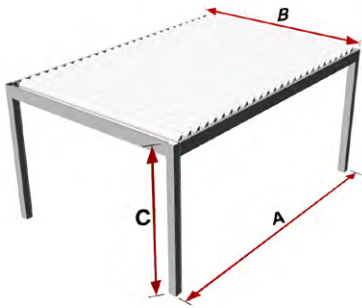
MODEL	Retractable Pergola
PROFILE	Extruded aluminium with 6063-T5 alloy.
FINISHING	Durmi stock selection: RAL 7016 text - RAL 9016 text (shorter production time) All colours from the RAL chart are available. Please contact us.
CHARACTERISTICS	Option of anchoring to the building site by means of brackets or special anchors. Wind resistance up to Class 6. Possibility of installing different accessories, such as DURMI louvers, screens, glass enclosures, among others. Ask about the possibility of installing special panels. Motorised operation of adjustable louvers.
CERTIFICATIONS	        



Retractable Pergola

Pergola with motorised louvers and intelligent sensors.

DESIGN OPTIONS / Retractable Pergola

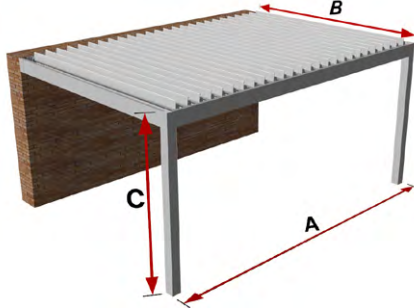


SELF-SUPPORTING

A-Maximum length 6408 mm

B-Maximum width 4200 mm

C-Maximum height 3250 mm

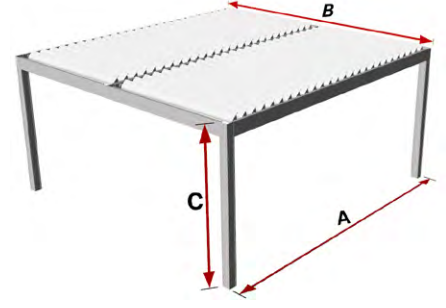


ATTACHED TO WALL

A-Maximum length 6408 mm

B-Maximum width 4200 mm

C-Maximum height 3250 mm



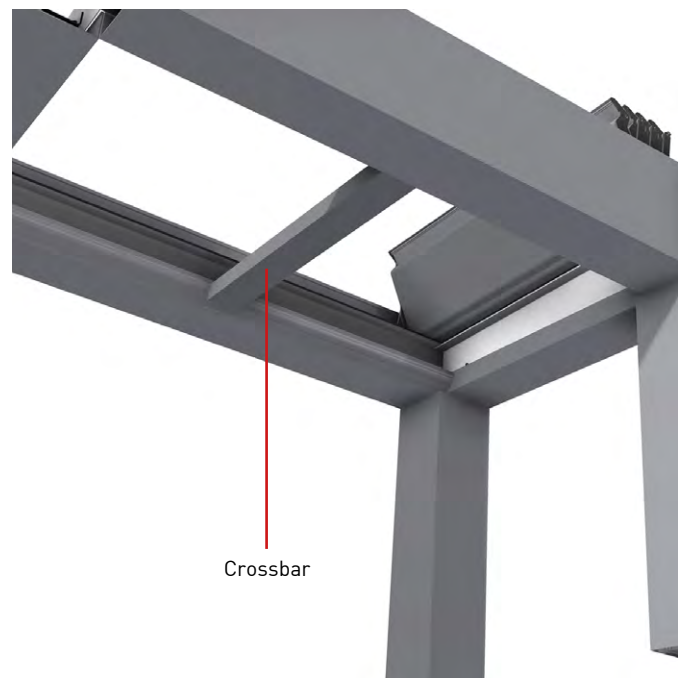
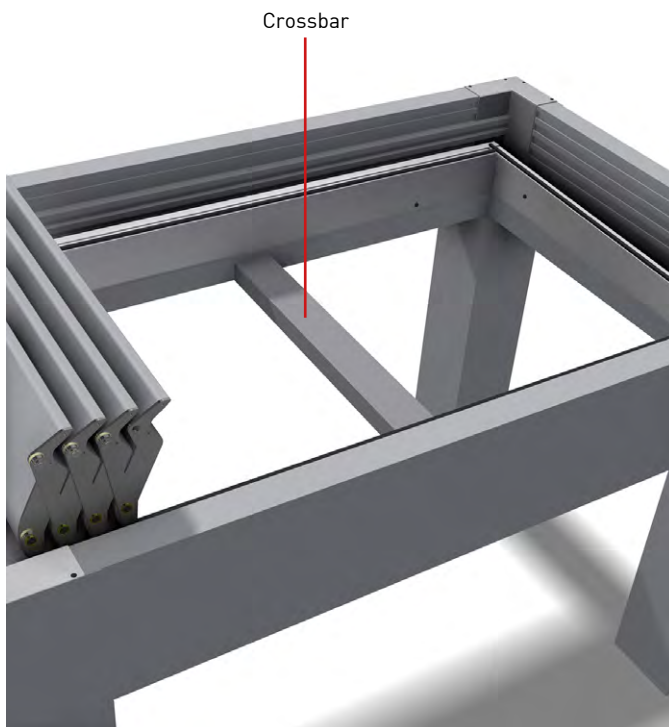
DUPLEX

A-Maximum length 6408 mm

B-Maximum width 6848 mm

C-Maximum height 3250 mm

ATTENTION : For dimensions A longer than 5000mm, a central reinforcement must be installed as a crossbar.

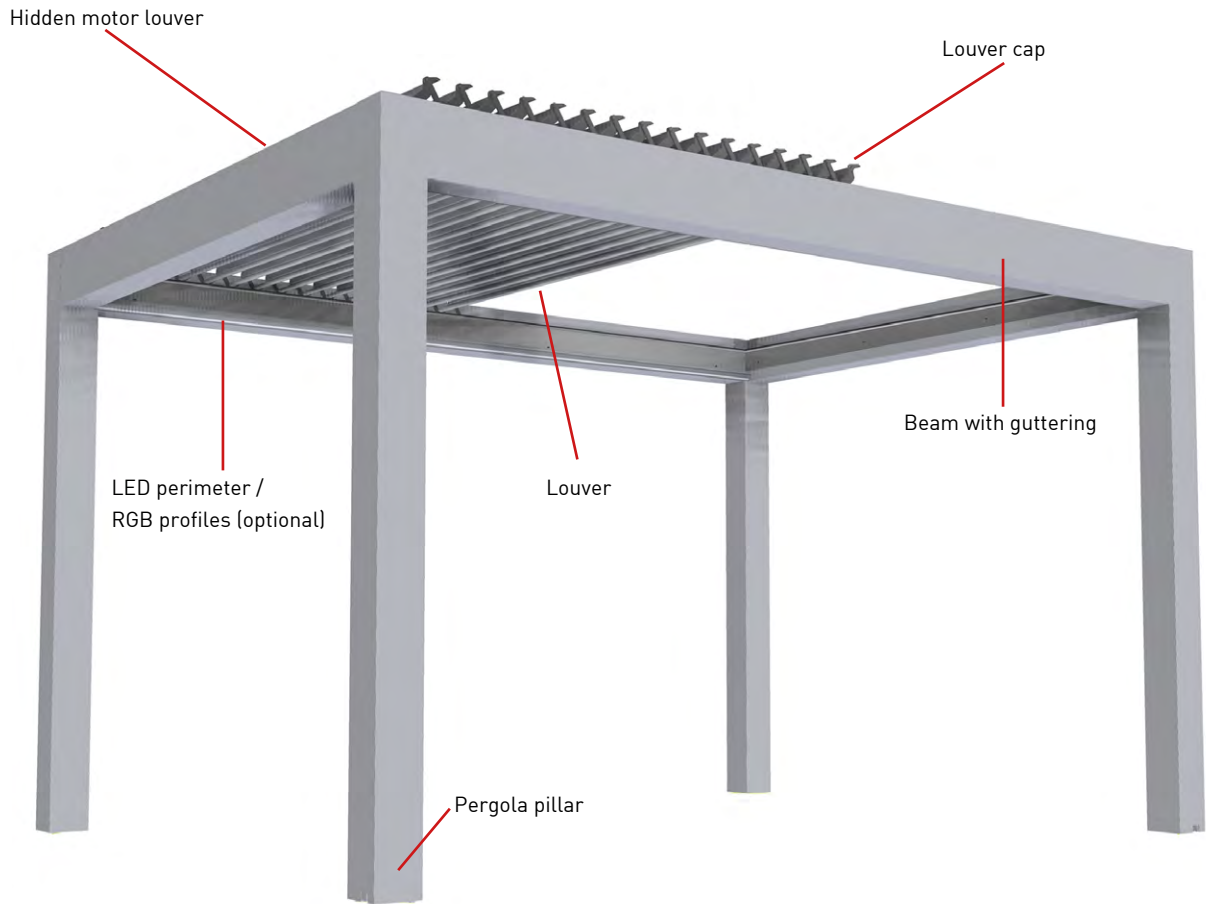




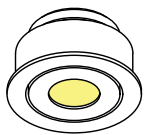
Retractable Pergola

Pergola with motorised louvers and intelligent sensors.

PROFILES AND ACCESSORIES / Retractable Pergola



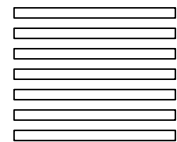
OPTIONS / Retractable Pergola



LED on perimeter structure



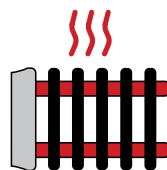
Side zip screen / glass enclosure



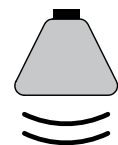
DURMI louver system enclosure



LED RGB strips



Heater



Audio system

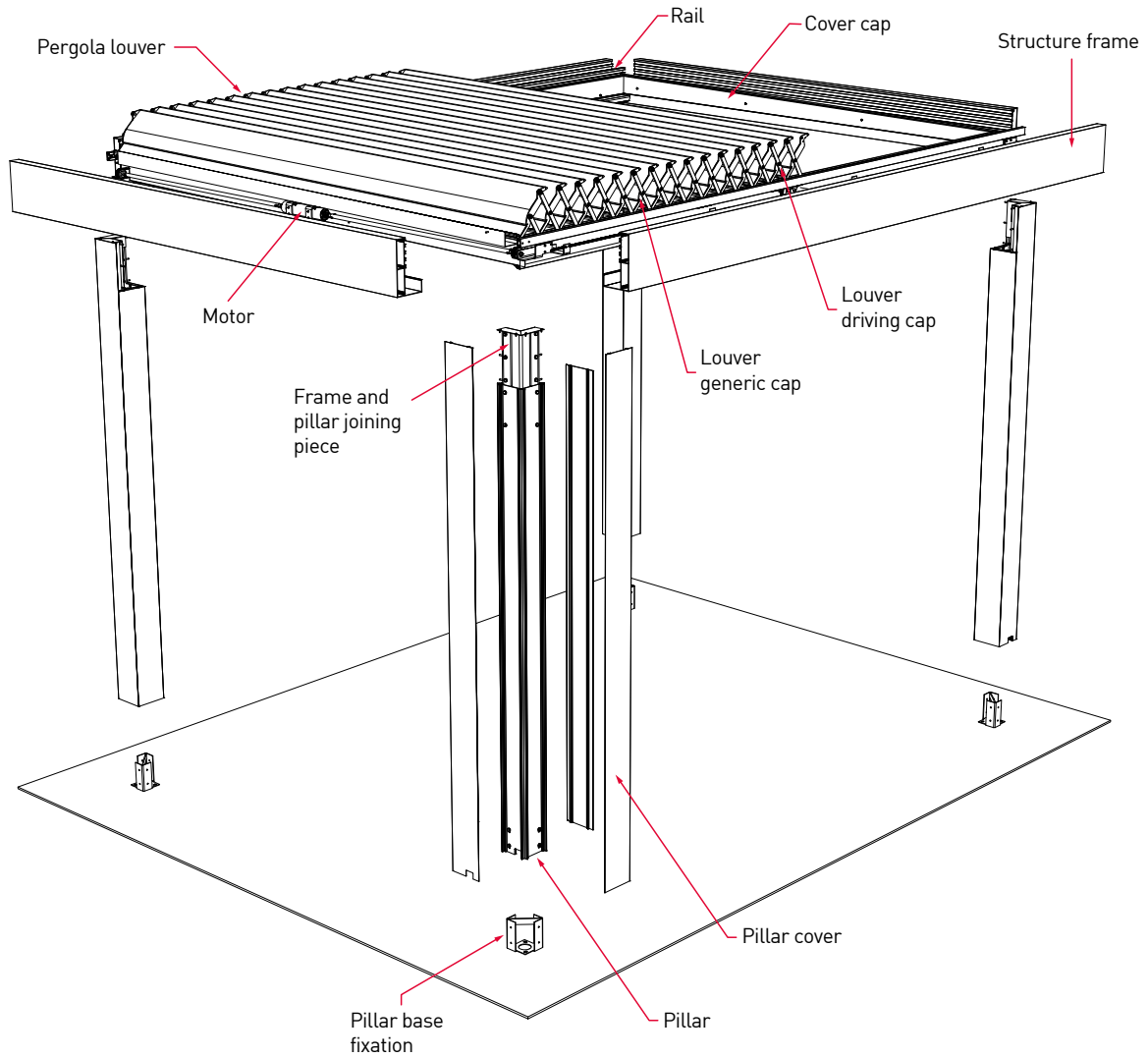


Retractable Pergola

Pergola with motorised louvers and intelligent sensors.

DETAILS / Retractable Pergola

Exploded view

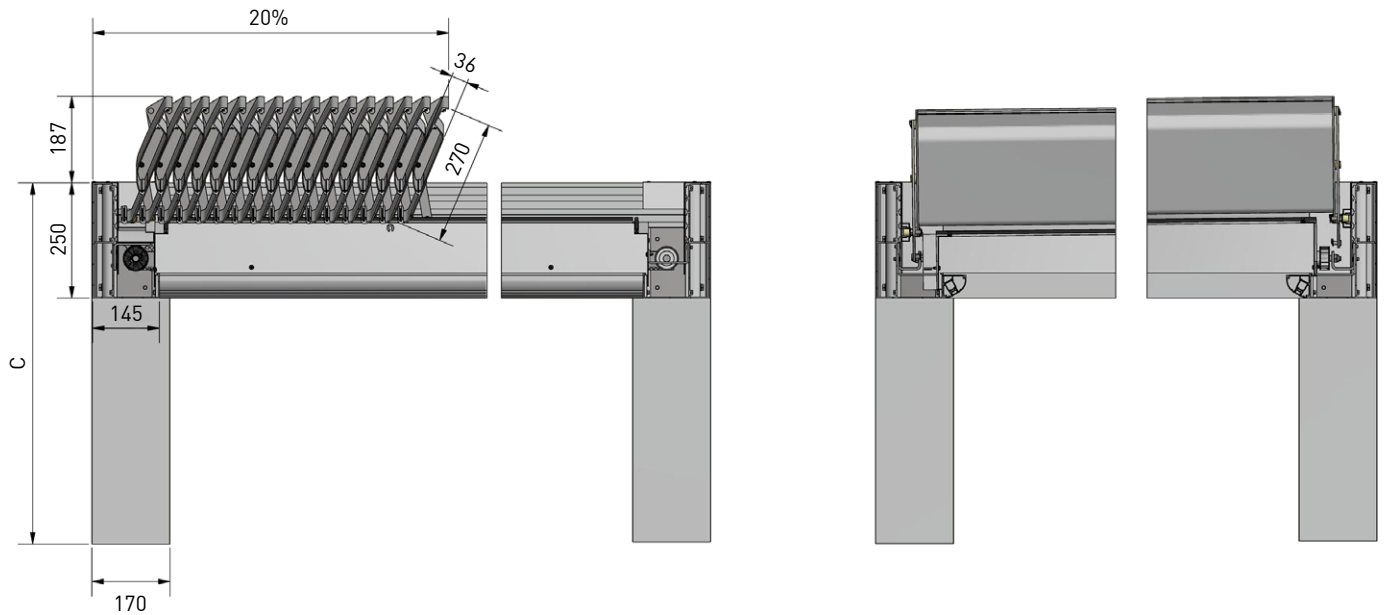




Retractable Pergola

Pergola with motorised louvers and intelligent sensors.

SECTIONS / Retractable Pergola



Factory, offices and show-room:

C. Bages, S/N · P.L. Vilanoveta
08812 Sant Pere de Ribes · Barcelona
T. +34 938 932 808 F. +34 938 933 560
durmi@durmi.com · www.durmi.com

You can follow us on:



National Representation

MADRID CENTRAL AREA · BASQUE COUNTRY NORTHERN
AREA ANDALUSIA SOUTHERN AREA · ARAGON · LEVANTE
BALEARIC · CANARY ISLANDS

Export Representation

PORTUGAL · FRANCE · BELGIUM · NETHERLANDS
SWITZERLANDS SWITZERLAND · ANDORRA ·
DOMINICAN REPUBLIC CUBA · CHILE